

MAGNETICS MODULES for LAN APPLICATIONS



建旭电子

迈向世界的电子元件供应商

ELECTRONIC COMPONENT SUPPLIERS
TO THE WORLD

查看详情 >>



www.jansum-electronics.com

Magnetics Modules for LAN Applications

About JANSUM

Jansum Electronics Dongguan Co.,Ltd. is located in Changping Town, Dongguan City. We are a company specializing in R&D, manufacturing and sales of Ethernet transformer, Telecom transformer, Choke coils, Inductors, Power transformer, Planar transformer, Chip Lan magnetics, xDSL/T1/E1 transformer, Solar inverter inductor, and other magnetic components. The products sell well at home and abroad, and are exported to Europe, America, Southeast Asia, Middle East, Australia and other markets, and provide OEM/ODM services for domestic and foreign customers. We have such a full range of products categories, stable performance, and cost-effective, that we have received consistent praise from customers. Our products are widely used in network switches, routers, ADSL, optic modem, set-top boxes, TV, monitoring equipment, network players, smart home, solar power inverter, EV charging equipment and other industries.

Jansum Electronics adheres to the people-oriented, integrity-based, professional first, continuous innovation and harmonious development as a guide. Our mission is to provide comprehensive solutions and serialized products for customers, to become a trusted partner of customers, and to create a stage for employees to achieve personal value. Our Vision is to become the supplier of choice for magnetics components solutions. At the same time, we have been participating in social public welfare work and do our best to help those in need.

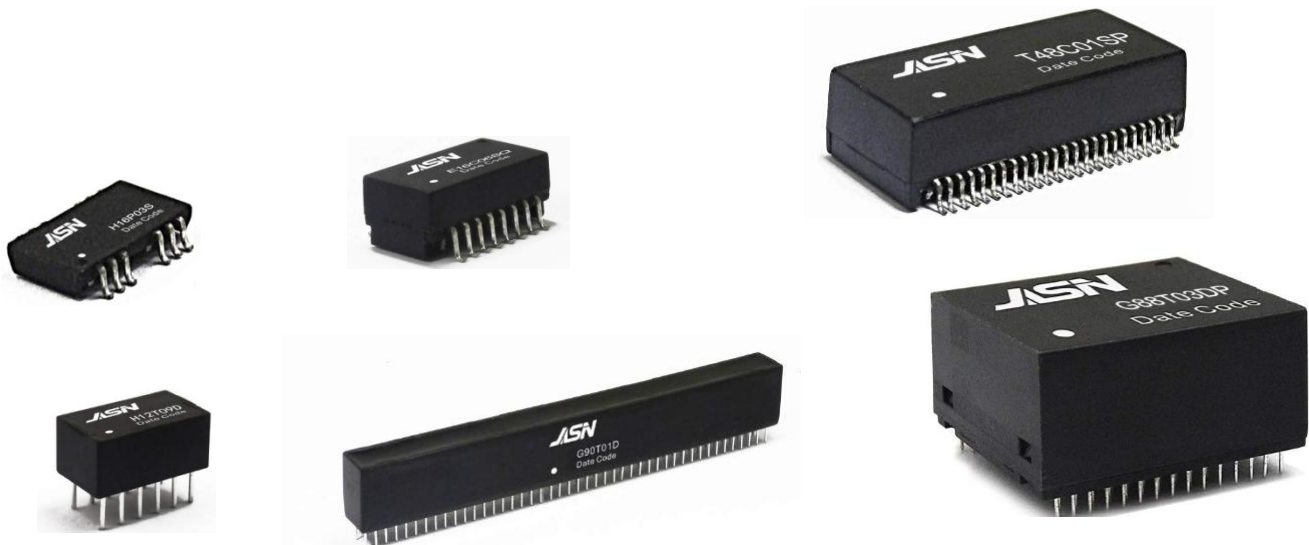
About JANSUM Magnetics Modules

JANSUM's Magnetics modules are RoHS compliant and cover a range of Ethernet speeds and technologies from 10/100Base-T, 1GBase-T, 2.5GBase-T, 5Gbase-T, 10GBase-T, and Power over Ethernet (PoE).

Our magnetics modules are optimized for major LAN PHYs. All modules provided electrical circuit isolation that meets IEEE802.3, while maintaining signal integrity needed for the most demanding applications.

Features & Benefits

- ◆ IEEE 802.3 Compliant to 10G
- ◆ High Isolation up to 6kV
- ◆ Higher Reliability
- ◆ Single, Dual, Quad Packages, SMT, DIP, PCMCIA Options
- ◆ Extended Temperature -40°C to +85°C



About Our Magnetics Modules

100Base-T / 1000Base-T / 2.5GBase-T / 5GBase-T / 10GBase-T

Jansum's magnetics modules are RoHS compliant. The product line covers every Ethernet application on the market today.

We also offer options to meet any special requests, please kindly contact our sales representative if you have any questions.

Our advantage:

1. Reliable quality
2. Competitive cost
3. Design in design win
4. Delivery on time
5. Quick response

100BASE-T											
Part Number	Number of Ports	Package	Number of Pins	Package Height (mm)	Package Length (mm)	Package Width (mm)	Pin Pitch (mm)	Speed Rate	Operating Temperature	PoE Rating	Hi-pot Rating
H16C01S	SINGLE	SMD	16	5.65	12.70	9.40	1.27	10/100BASE-T	0°Cto+70°C	PoE15W	1500V
H16C01SW	SINGLE	SMD	16	5.65	12.70	9.40	1.27	10/100BASE-T	-40°Cto+85°C	PoE15W	1500V
H16C81S	SINGLE	SMD	16	5.25Max	12.70	9.45	1.27	10/100BASE-T	0°Cto+70°C	PoE15W	1500V
H16C73SW	SINGLE	SMD	16	5.10	12.70	9.40	1.27	10/100BASE-T	-40°Cto+85°C	PoE15W	1500V
H16C06SQ	SINGLE	SMD	16	5.65	12.70	9.40	1.27	10/100BASE-T	-40°Cto+85°C	PoE30W	1500V
H40C01S	QUAD	SMD	40	5.75	28.10	16.00	1.27	10/100BASE-T	0°Cto+70°C	PoE15W	1500V
H16P07S	SINGLE	PCMCIA	16	2.20	12.75	9.40	1.27	10/100BASE-T	0°Cto+70°C	Non-PoE	1500V
H16P09S	SINGLE	PCMCIA	16	2.28Max	12.80	9.30	1.27	10/100BASE-T	0°Cto+70°C	Non-PoE	1500V
H12T07D	SINGLE	DIP	12	6.70	14.00	7.60	2.00	10/100BASE-T	0°Cto+70°C	PoE15W	1500V
H16T03D	SINGLE	DIP	16	6.70	20.45	9.80	2.54	10/100BASE-T	0°Cto+70°C	PoE15W	1500V
H20T01D	DUAL	DIP	20	6.80 Max	25.40	10.00	2.54	10/100BASE-T	0°Cto+70°C	PoE15W	1500V

100BASE-T-HIGH ISOLATION											
Part Number	Number of Ports	Package	Number of Pins	Package Height (mm)	Package Length (mm)	Package Width (mm)	Pin Pitch (mm)	Speed Rate	Operating Temperature	PoE Rating	Hi-pot Rating
H06C01SH	SINGLE	SMD	6	5.25	7.60	9.45	2.54	10/100BASE-T	0°Cto+70°C	Non-PoE	2000V
H16C76SH	SINGLE	SMD	16	5.90	12.70	9.40	1.27	10/100BASE-T	-40°Cto+85°C	PoE15W	3000V

1000BASE-T											
Part Number	Number of Ports	Package	Number of Pins	Package Height (mm)	Package Length (mm)	Package Width (mm)	Pin Pitch (mm)	Speed Rate	Operating Temperature	PoE Rating	Hi-pot Rating
G24C03S	SINGLE	SMD	24	6.25	17.18	16.00	1.27	1000BASE-T	0°Cto+70°C	Non-PoE	1500V
G24C02S	SINGLE	SMD	24	6.00	17.60	16.00	1.27	1000BASE-T	0°Cto+70°C	PoE15W	1500V
G24C02SP	SINGLE	SMD	24	6.00	17.60	16.00	1.27	1000BASE-T	0°Cto+70°C	PoE15W	1500V
G24C02SWU	SINGLE	SMD	24	6.00	17.60	16.00	1.27	1000BASE-T	-40°Cto+85°C	4PPoE60W	1500V

About Our Magnetics Modules

100Base-T / 1000Base-T / 2.5GBase-T / 5GBase-T / 10GBase-T

1000BASE-T											
Part Number	Number of Ports	Package	Number of Pins	Package Height (mm)	Package Length (mm)	Package Width (mm)	Pin Pitch (mm)	Speed Rate	Operating Temperature	PoE Rating	Hi-pot Rating
G24C28SQ	SINGLE	SMD	24	6.00	17.55	16.00	1.27	1000BASE-T	-40°Cto+85°C	4PPoE60W	1500V
G48C04S	DUAL	SMD	48	7.20	27.80	15.30	1.02	1000BASE-T	0°Cto+70°C	Non-PoE	1500V
G48C01S	DUAL	SMD	48	7.20	27.80	15.30	1.02	1000BASE-T	0°Cto+70°C	PoE15W	1500V
G48C01SP	DUAL	SMD	48	7.20	27.80	15.30	1.02	1000BASE-T	0°Cto+70°C	PoE15W	1500V
G48C07SP	DUAL	SMD	48	7.20	27.80	15.30	1.02	1000BASE-T	0°Cto+70°C	4PPoE30W	1500V
G48C03SQ	DUAL	SMD	48	7.20	27.80	15.30	1.02	1000BASE-T	-40°Cto+85°C	4PPoE30W	1500V
G48C15SQ	DUAL	SMD	48	7.20	27.80	15.30	1.02	1000BASE-T	-40°Cto+85°C	4PPoE60W	1500V
G50C01S	DUAL	SMD	50	8.40	27.75	10.70	1.02	1000BASE-T	0°Cto+70°C	PoE15W	1500V
G50C01SQ	DUAL	SMD	50	8.40	27.75	10.70	1.02	1000BASE-T	-40°Cto+85°C	4PPoE30W	1500V
G50C01SP	DUAL	SMD	50	8.40	27.75	10.70	1.02	1000BASE-T	0°Cto+70°C	4PPoE30W	1500V
G50C01SW	DUAL	SMD	50	8.40	27.75	10.70	1.02	1000BASE-T	-40°Cto+85°C	4PPoE30W	1500V
G24P02SW	SINGLE	PCMCIA	24	4.00	15.10	10.00	1.00	1000BASE-T	0°Cto+70°C	Non-PoE	1500V
G24P02S	SINGLE	PCMCIA	24	4.00	15.10	10.00	1.00	1000BASE-T	0°Cto+70°C	Non-PoE	1500V
G24P03S	SINGLE	PCMCIA	24	2.54Max	19.80	19.30	1.27	1000BASE-T	0°Cto+70°C	Non-PoE	1500V
G24P10S	SINGLE	PCMCIA	24	2.20	15.60	9.60	1.27	1000BASE-T	0°Cto+70°C	Non-PoE	1500V
G24P70S	SINGLE	PCMCIA	24	3.68	13.08	14.99	0.99	1000BASE-T	0°Cto+70°C	Non-PoE	1500V
G24T01D	SINGLE	DIP	24	11.10	15.50	11.00	2.00	1000BASE-T	0°Cto+70°C	PoE15W	1500V
G24T01DP	SINGLE	DIP	24	11.10	15.50	11.00	2.00	1000BASE-T	-40°Cto+85°C	PoE15W	1500V
G36T03D	DUAL	DIP	36	11.60	32.70	8.50	1.78	1000BASE-T	0°Cto+70°C	PoE15W	1500V
G48T01D	DUAL	DIP	48	11.10	28.10	11.10	2.00	1000BASE-T	0°Cto+70°C	PoE15W	1500V
G48T02D	DUAL	DIP	48	11.10	28.10	11.10	2.00	1000BASE-T	0°Cto+70°C	PoE15W	1500V
G48T01DP	DUAL	DIP	48	11.10	28.10	11.10	2.00	1000BASE-T	0°Cto+70°C	PoE15W	1500V
G72T13DQ	QUAD	DIP	72	15.00	34.50	19.10	1.78	1000BASE-T	-40°Cto+85°C	Non-PoE	1500V
G72T07DB	QUAD	DIP	72	15.00Max	34.50	19.10	1.78	1000BASE-T	0°Cto+70°C	Non-PoE	1500V
G96T01D	QUAD	DIP	96	15.50	28.20	28.90	2.00	1000BASE-T	0°Cto+70°C	4PPoE30W	1500V
G96T03DP	QUAD	DIP	96	15.50	28.20	28.90	1.80	1000BASE-T	0°Cto+70°C	4PPoE30W	1500V
G96T01DP	QUAD	DIP	96	15.50	28.20	28.90	2.00	1000BASE-T	0°Cto+70°C	4PPoE30W	1500V

1000BASE-T-HIGH ISOLATION											
Part Number	Number of Ports	Package	Number of Pins	Package Height (mm)	Package Length (mm)	Package Width (mm)	Pin Pitch (mm)	Speed Rate	Operating Temperature	PoE Rating	Hi-pot Rating
G24C02SH	SINGLE	SMD	24	6.00	17.60	16.00	1.27	1000BASE-T	0°Cto+70°C	PoE15W	5000V
G72T07DH	QUAD	DIP	72	15.00	34.50	19.10	1.78	1000BASE-T	-40°Cto+85°C	Non-PoE	6000V
G72T10DH	QUAD	DIP	72	15.00Max	29.00	26.50	1.78	1000BASE-T	0°Cto+70°C	Non-PoE	6000V

About Our Magnetics Modules

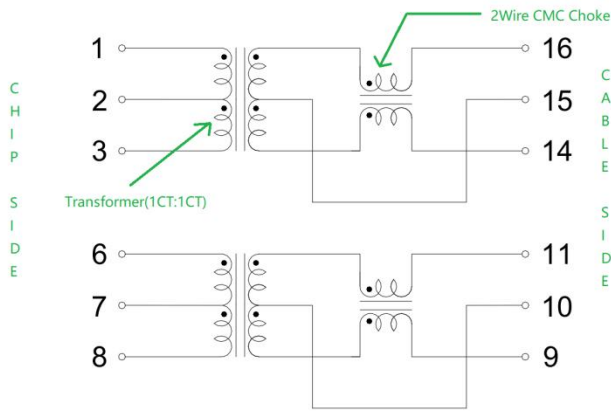
100Base-T / 1000Base-T / 2.5GBase-T / 5GBase-T / 10GBase-T

2.5GBASE-T											
Part Number	Number of Ports	Package	Number of Pins	Package Height (mm)	Package Length (mm)	Package Width (mm)	Pin Pitch (mm)	Speed Rate	Operating Temperature	PoE Rating	Hi-pot Rating
V24C17S	SINGLE	SMD	24	6.25	13.60	15.00	1.02	2.5GBASE-T	0°Cto+70°C	PoE15W	1500V
V24P05S	SINGLE	SMD	24	4.00	15.10	10.00	1.00	2.5GBASE-T	0°Cto+70°C	Non-PoE	1500V
V24C01SP	SINGLE	SMD	24	6.00	17.60	16.00	1.27	2.5GBASE-T	0°Cto+70°C	PoE15W	1500V
V24C13SWU	SINGLE	SMD	24	6.00	17.60	16.00	1.27	2.5GBASE-T	-40°Cto+85°C	4PPoE100W	1500V
V24T03DP	SINGLE	DIP	24	11.10	15.50	11.00	2.00	2.5GBASE-T	0°Cto+70°C	4PPoE30W	1500V
V96T06D	QUAD	DIP	96	15.50	28.20	28.90	1.80	2.5GBASE-T	0°Cto+70°C	4PPoE30W	1500V

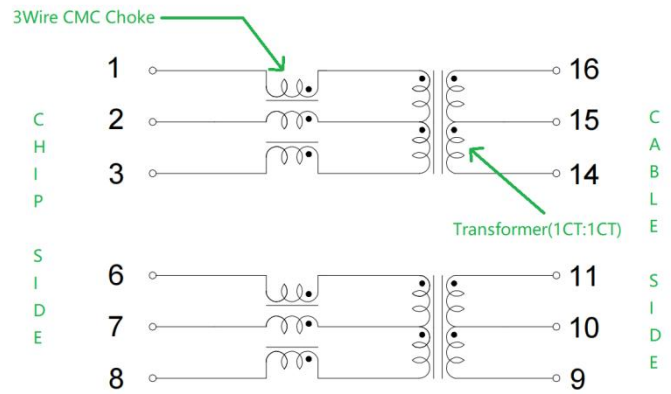
5GBASE-T											
Part Number	Number of Ports	Package	Number of Pins	Package Height (mm)	Package Length (mm)	Package Width (mm)	Pin Pitch (mm)	Speed Rate	Operating Temperature	PoE Rating	Hi-pot Rating
Y24C50S	SINGLE	SMD	24	6.00	17.60	16.00	1.27	5GBASE-T	0°Cto+70°C	Non-PoE	1500V
Y24C56S	SINGLE	SMD	24	6.25	13.84	15.24	1.02	5GBASE-T	0°Cto+70°C	Non-PoE	1500V
Y24C57S	SINGLE	SMD	24	6.25	13.84	15.24	1.02	5GBASE-T	0°Cto+70°C	Non-PoE	1500V
Y24C53SP	SINGLE	SMD	24	6.00	17.60	16.00	1.27	5GBASE-T	0°Cto+70°C	4PPoE60W	1500V
Y48C50S	DUAL	SMD	48	7.20	27.80	15.30	1.02	5GBASE-T	0°Cto+70°C	Non-PoE	1500V

10GBASE-T											
Part Number	Number of Ports	Package	Number of Pins	Package Height (mm)	Package Length (mm)	Package Width (mm)	Pin Pitch (mm)	Speed Rate	Operating Temperature	PoE Rating	Hi-pot Rating
T24C03SP	SINGLE	SMD	24	5.72	13.84	15.24	0.99	10GBASE-T	0°Cto+70°C	Non-PoE	1500V
T24P02S	SINGLE	SMD	24	4.00	15.10	10.00	1.00	10GBASE-T	0°Cto+70°C	Non-PoE	1500V
T24P03SW	SINGLE	SMD	24	4.00	15.10	10.00	1.00	10GBASE-T	-40°Cto+85°C	Non-PoE	1500V
T24C16S	SINGLE	SMD	24	6.00	17.60	16.00	1.27	10GBASE-T	0°Cto+70°C	Non-PoE	1500V
T24C05SUW	SINGLE	SMD	24	6.00	17.60	16.00	1.27	10GBASE-T	-40°Cto+125°C	4PPoE100W	1500V
T48C01S	DUAL	SMD	48	7.20	27.80	15.30	1.02	10GBASE-T	0°Cto+70°C	Non-PoE	1500V
T48C02S	DUAL	SMD	48	7.20	27.80	15.30	1.02	10GBASE-T	0°Cto+70°C	Non-PoE	1500V

Typical Circuit Diagram

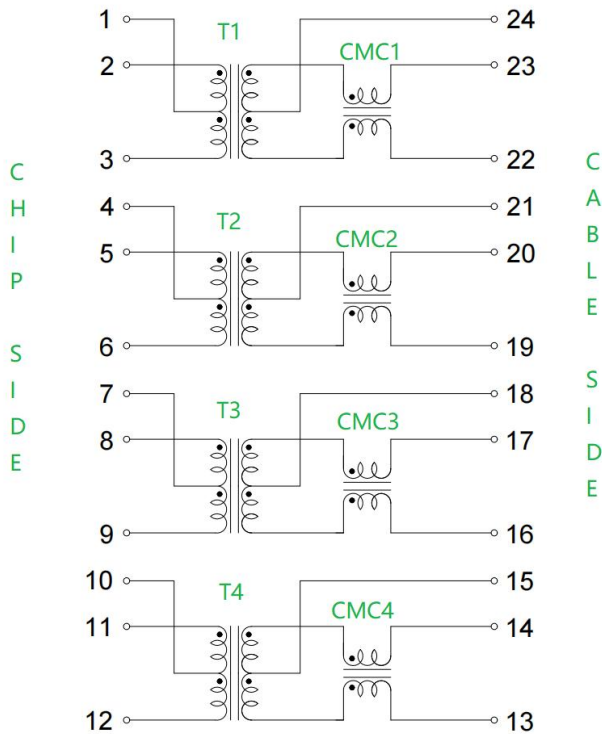


Circuit A

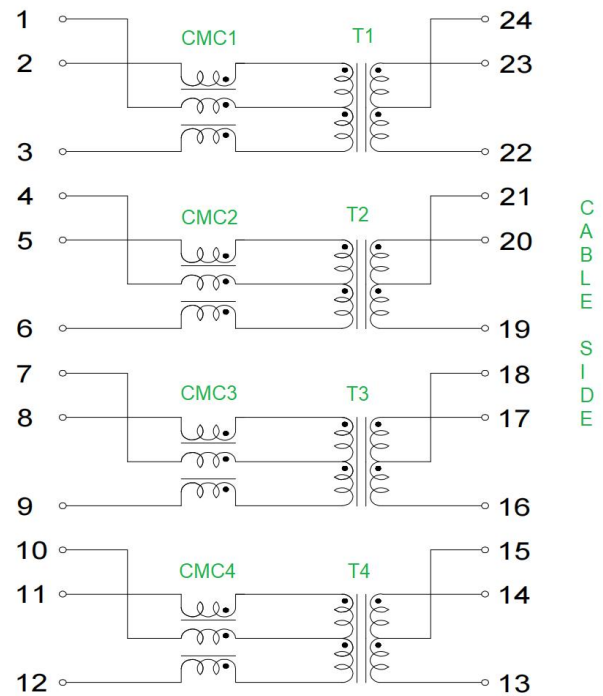


Circuit B

10/100 BASE-T TYPICAL CIRCUIT PER PORT



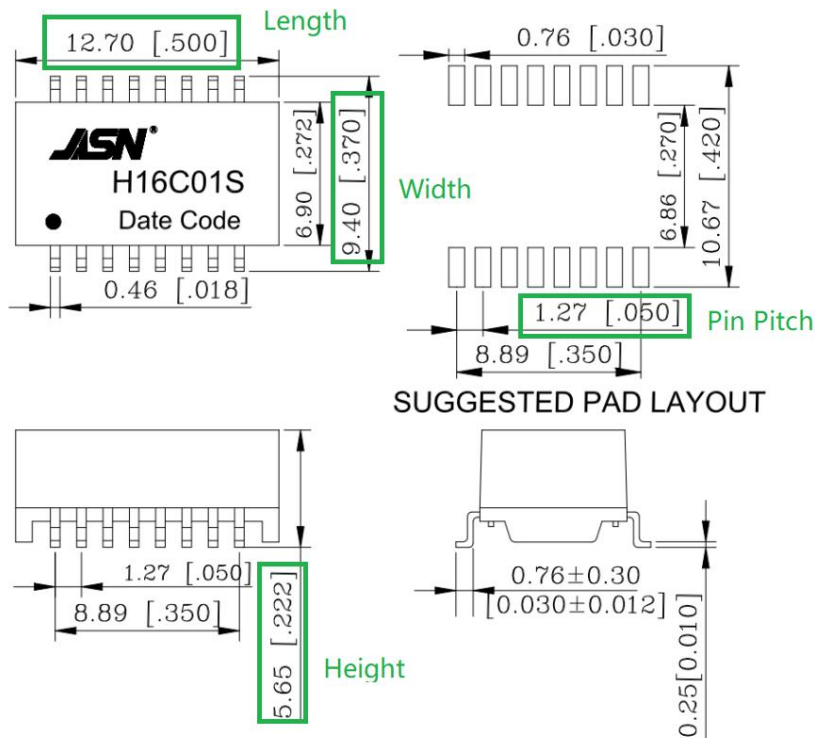
Circuit C



Circuit D

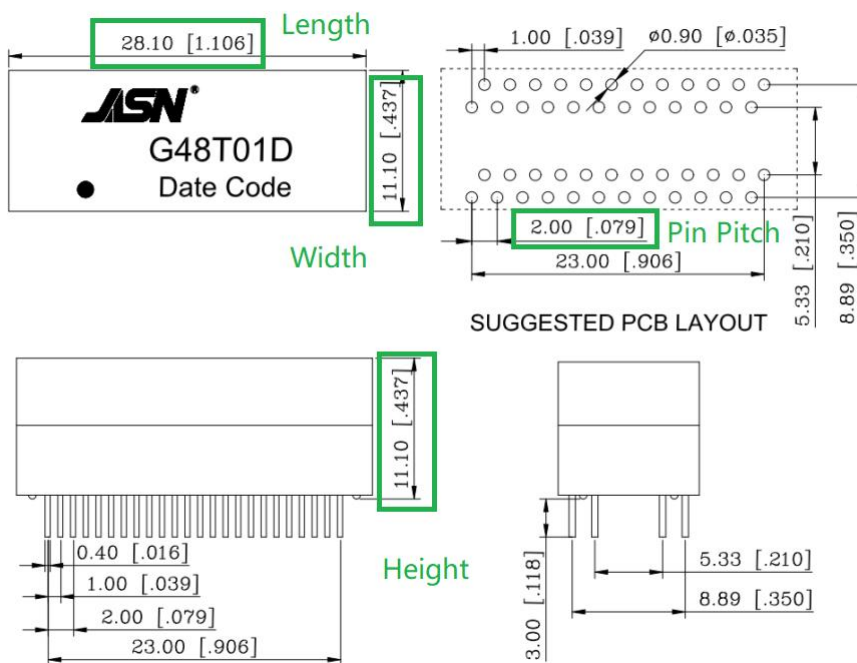
1G/2.5G/5G/10GBASE-T TYPICAL CIRCUIT PER PORT

Mechanical & Layout



SMD Series

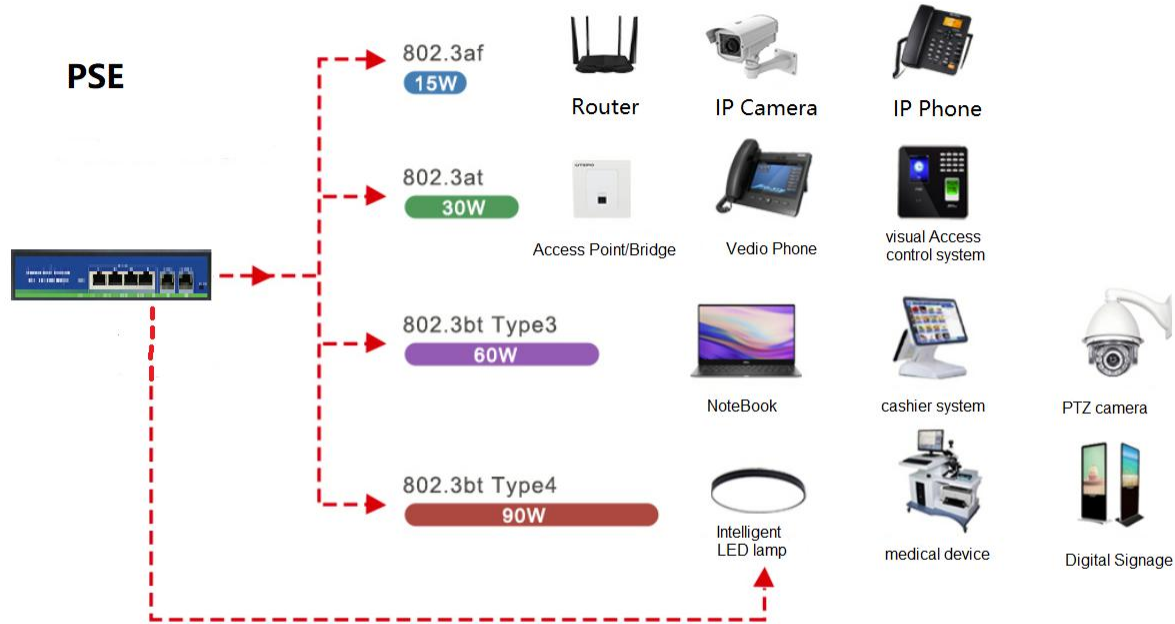
Unless otherwise specified, all tolerances are ± 0.25



DIP Series

Unless otherwise specified, all tolerances are ± 0.25

How PoE Works



Terminal devices supported by different PoE standards

★ Power of PSE is 100W Max and 90W Max for PD.

Standard	IEEE 802.3 af	IEEE 802.3 at	IEEE 802.3 bt
Description included	PoE	PoE+	PoE++(4PPoE)
Power(PSE)	15.4W	30W	100W Max
Power(PD)	12.95W	25.5W	71.3W
Voltage(PSE)	44.0-57.0V	50.0-57.0V	52.0-57.0V
Voltage(PD)	37.0-57.0V	42.5-57.0V	41.1-57.0V

Different Parameters of IEEE 802.3AF/AT/BT Standard

Jansum's PoE product portfolio can provide 2P/4P PoE/PoE+/PoE++ capable up to 100W Max.

About JANSUM

Jansum Electronics Dongguan Co.,Ltd. is located in Changping Town, Dongguan City. We are a company specializing in R&D, manufacturing and sales of Ethernet transformer, Telecom transformer, Choke coils, Inductors,Power transformer, Planar transformer, Chip Lan magnetics, xDSL/T1/E1 transformer, Solar inverter inductor, and other magnetic components. The products sell well at home and abroad, and are exported to Europe, America, Southeast Asia, Middle East, Australia and other markets, and provide OEM/ODM services for domestic and foreign customers. We have such a full range of products categories, stable performance, and cost-effective, that we have received consistent praise from customers. Our products are widely used in network switches, routers, ADSL, optic modem, set-top boxes, TV, monitoring equipment, network players, smart home,solar power inverter, EV charging equipment and other industries.



- *Concept innovation is the guide*
- *Strategic innovation is the direction*
- *Organizational innovation as a guarantee*
- *Technological innovation as a means*
- *Market innovation is the goal*



For more information please contact us:

Jansum Electronics Dongguan Co., Ltd.

Xiaxin Road, Sukeng Village, Changping
Town, Dongguan City, Guangdong, China

(0086)769-86299641-602
(0086)181 538 19627

Henry.yuan@jansum.cn
Sales1@jansum.cn

www.jansum-electronics.com