

## 2.5GBase-T Discrete Lan Magnetics

You are welcomed to come to JASN factory to buy the latest selling, low price, and high-quality 2.5GBase-T Discrete Lan Magnetics. We look forward to cooperating with you. This V96T06D is 2.5G Base-T Quad Port Magnetics Module.

Model:V96T06D



You can rest assured to buy customized 2.5GBase-T Discrete Lan Magnetics from JASN. We look forward to cooperating with you, if you want to know more, you can consult us now, we will reply to you in time!

### Feature

Comply with ROHS requirements.

Comply with IEEE802.3bz

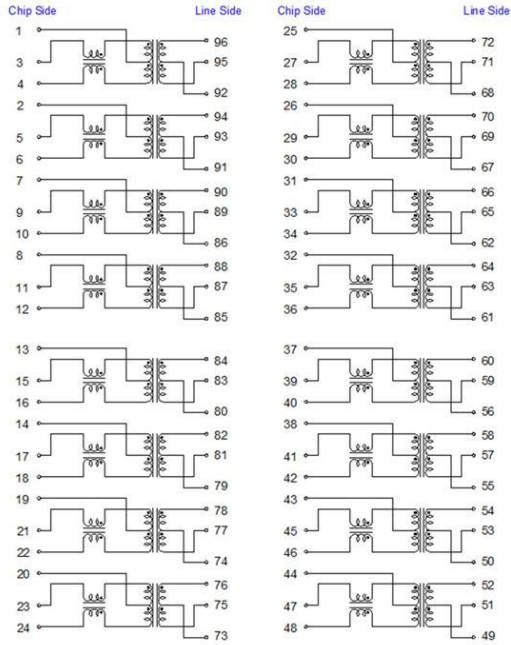
Operating temperature range: 0 °C to +70 °C.

Storage temperature range: -25 °C to +125 °C.

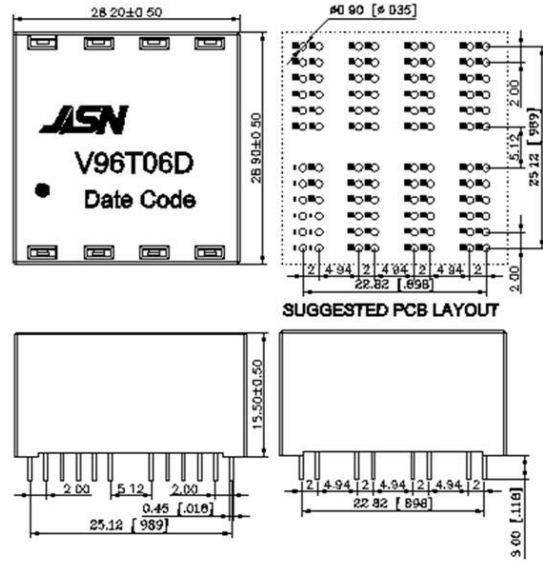
### Electrical Specifications @ 25°C

OCL:	150uH Min. @100KHz/0.1V	
Hi-Pot:	1500Vrms	
Turn Ratio:	1:1±2%	
LK:	0.5uH Max @100KHz/0.2V	
Cw/w	35pF Max @100KHz/0.2V	
D.C.R:	1.0 ohm Max	
Insertion Loss:	1-100MHz	100-200MHz
	-1.0dB Max	-2dB Max
Return Loss:	1-40MHz	40-250MHz
	-16dB Min	-16+10log ( f/40 ) Min
Cross Talk :	1-200MHZ: :-25dB Min	
CMRR:	1-200MHZ: -20dB Min	

Schematic



Mechanical



Unless otherwise specified, all tolerances are  $\pm 0.25$ mm