



100M Lan Transformer

You are welcomed to come to JASN factory to buy the latest selling, low price, and high-quality 100M Lan Transformer. We look forward to cooperating with you. This H16P09S is a ultra low structure series product.

Model:H16P09S

JASN as the professional manufacturer, we would like to provide you high quality 100M Lan Transformer. And we will offer you the best after-sale service and timely delivery.

Feature

Compliant with IEEE 802.3u standard.

Comply with RoHS requirements.

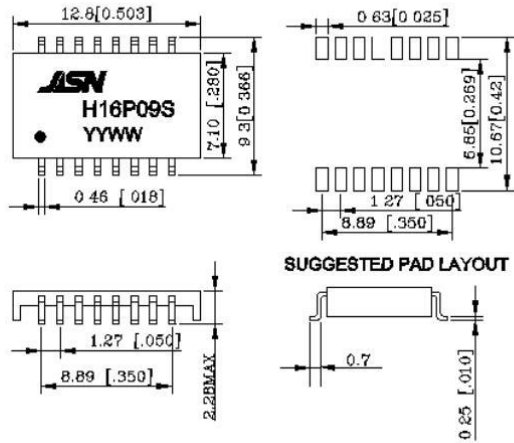
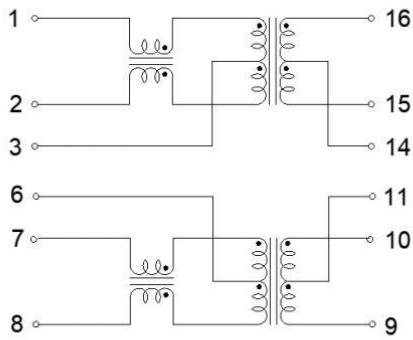
Operating temperature range: 0°C to +70°C.

Storage temperature range: -25°C to +105°C.

Electrical Specifications @ 25°C

OCL:	350uHMin.@100KHz/0.1V				
Hi-POT:	1500VAC1mA2S				
TurnRatio:	1:1±3%				
LK:	0.5uHMax@100KHz/0.2V				
Cw/w	28pFMax@100KHz/0.2V				
D.C.R:	1.1ohm Max				
InsertionLoss:	1-100MHz:-1.1 dBMax				
Cross Talk :	1-100MHz:-30dBMin				
ReturnLoss:	1-30MHz	40MHz	50MHz	60-80MHz	80-100MHz
	-18dBMin	-14.4dBMin	-13.1dBMin	-12dBMin	-10dBMin

Schematic



1. Unless otherwise specified, all tolerances are $\pm 0.25[.01]$
2. Coplanarity: $0.1[.004]$
3. Unit mm