



### 1000Base-T Lan Transformer

JASN as a professional Lan transformer manufacturer, you can rest assured to buy 1000Base-T Lan Transformer from our factory and we will offer you the best after-sale service and timely delivery. The PN G24C02S meets IEEE 802.3an.

Model:G24C02S

JASN is a leading China 1000Base-T Lan Transformer manufacturer, supplier and exporter. Adhering to the pursuit of perfect quality of products, so that our 1000Base-T Lan Transformer have been satisfied by many customers. Extreme design, quality raw materials, high performance and competitive price are what every customer wants, and that's also what we can offer you. Of course, also essential is our perfect after-sales service. If you are interested in our 1000Base-T Lan Transformer services, you can consult us now, we will reply to you in time!

### Feature

Compliant with IEEE 802.3ab standard.

Comply with RoHS requirements.

Suitable for End-span PoE applications with 350mA current capability.

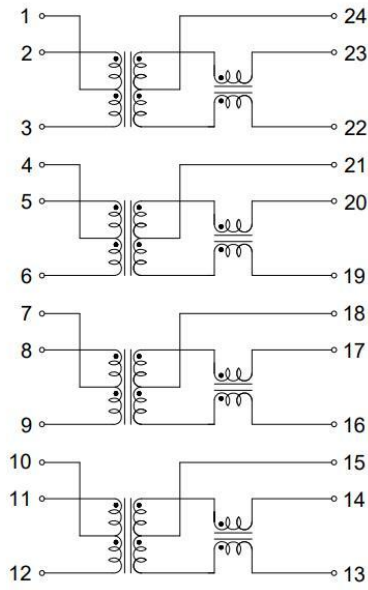
Operating temperature: 0°C to +70°C

Storage temperature range: -25°C to +105°C.

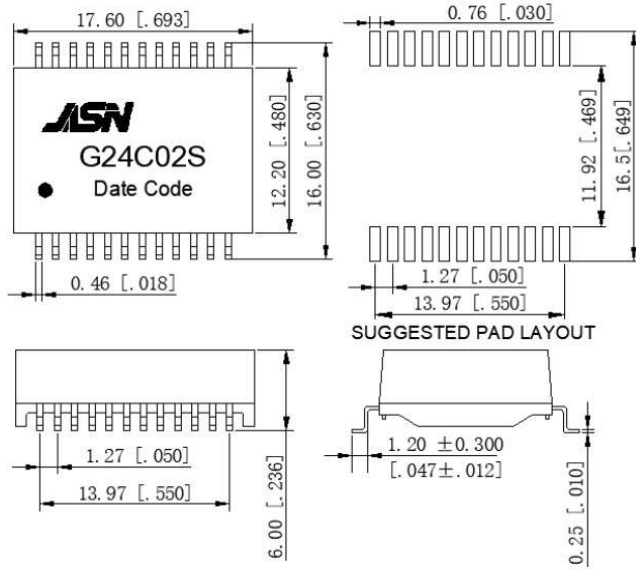
### Electrical Specifications @ 25°C

OCL:	350uH Min. @100KHz/0.1V with 8mA DC Bias				
Hi-POT :	1500Vrms				
Turn Ratio:	1:1±3%				
LK:	0.5uH Max @100KHz/0.2V				
Cw/w	35PF Max @100KHz/0.2V				
D.C.R:	1.2 ohm Max				
Insertion Loss:	1-100MHz: -1.0dB Max				
Cross Talk :	1-100MHz: -30dB Min				
Return Loss:	1-30MHz	40MHz	50MHz	60-80MHZ	80-100MHZ
	-18dB Min	-14.4dB Min	-13.1dB Min	-12dB Min	-10dB Min

Schematic



Mechanical



Unless otherwise specified, all tolerances are ±0.25